

PM-P001

PC/104 100 W DC to DC Converter Module

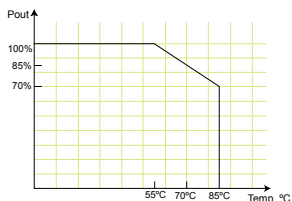


Features

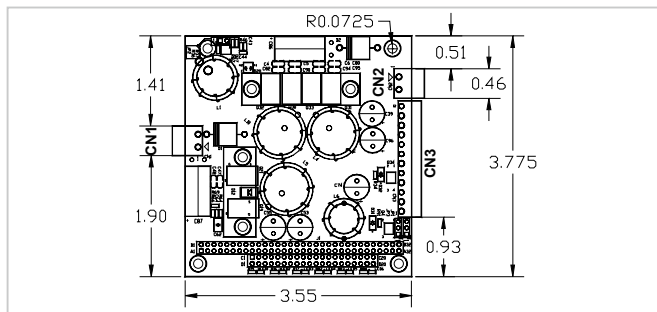
1. High efficiency up to 96%
2. Over voltage protection
3. Over current protection
4. Input power protection
5. Short circuit protection
6. Low quiescent current
7. Low EMI & RFI
8. RoHS compliant
9. Remote on/off
10. AT or ATX mode
11. Non-isolated type

Specifications

- Output (max.): 5 V@12 A, 12 V@2.5 A, 5 VSB@1 A & -12 V@ 500 mA
Max. total output: 100 W
- Input: 6 VDC to 36 VDC
- Performance characteristics
Line regulation: <40 mV*
Load regulation: <150 mV
Efficiency: up to 95%
Quiescent current: <1 mA**
* Measure on 5 V output
** The LEDs and the 5 VSB are disabled.
- Remote on/off (jumper select) signal PS_ON control power on/off
Active high or active low
- Dimensions: 3.775" x 3.55"
- Weight: GW: 440 g; NW: 178 g
- Operating temperature: -40°C ~ 85°C



Dimensions (Unit: Inches)



Pin Assignments

Primary Input Power Terminal

CN1	Pin1	Pin2
	GND	VIN1

Secondary Input (Pass thru.)

CN2	Pin1	Pin2
	GND	VIN2

Output Power Terminal

CN3	Pin1	Pin2	Pin3	Pin4	Pin5	Pin6
	PW_OK	PS_ON	GND	-12 V	GND	+12 V
	Pin7	Pin8	Pin9	Pin10	Pin11	Pin12
	GND	GND	+5 V	+5 V	5 VSB	GND

Packing Information

1 x PM-P001

1 x Manual

Ordering Information

Part No.	Description
PM-P001-R11	100 W DC/DC 6-36 VDC input; 12 V, 5 V, -12 V, 5 VSB output

IDD-936160

60 W DC/DC Converter Module



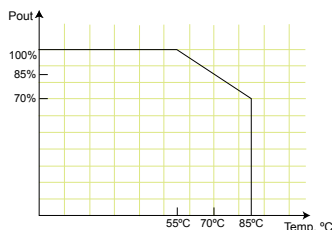
IDD-936160 60W DC/DC Converter Module is a high performance buck-boost switching regulator power module. The constant frequency current mode architecture allows a phaselockable frequency of up to 400kHz. With a wide 9V to 36V input and 12V output and seamless transfers between operating modes, the IDD-936160 is ideal for embedded systems with limited space.

Features

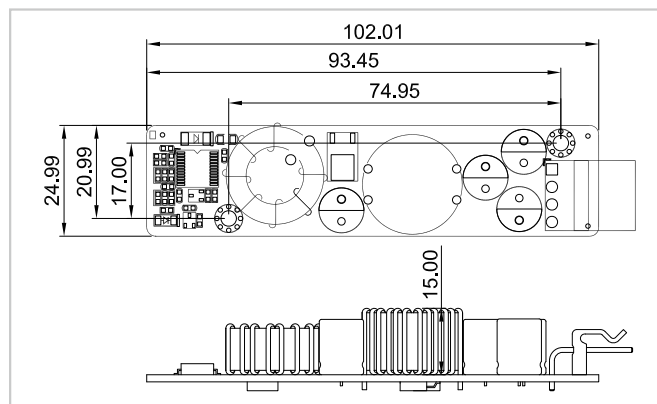
1. Wide input range: 9-36 VDC
2. 12 VDC output up to 5 Amp
3. Compact size
4. Efficiency up to 95%
5. RoHS compliant

Specifications

- Output (max.): 12 V@5 A
Max. total output: 60 W
- Input: 9 VDC to 36 VDC
- Performance characteristics
Noise & ripple: <300 mV
Line regulation: <300 mV
Load regulation: <85 mV
Efficiency up to 95%
- Dimensions: 82 mm x 25 mm
- Weight: NW: 28 g
- Operating temperature: -40°C ~ 85°C



Dimensions (Unit: mm)



Pin Assignments

Input/Output Connector

VOUT1	Pin1	Pin2	Pin3
	+12 V Output	GND	Vin



P/N: 32100-124001-RS

Packing Information

- 1 x IDD-936160
- 1 x QIG
- 1 x 300 mm wire cable (P/N: 32100-124001-RS)

Ordering Information

Part No.	Description
IDD-936160-R20	60 W DC/DC 9-36 V input; 12 V output