

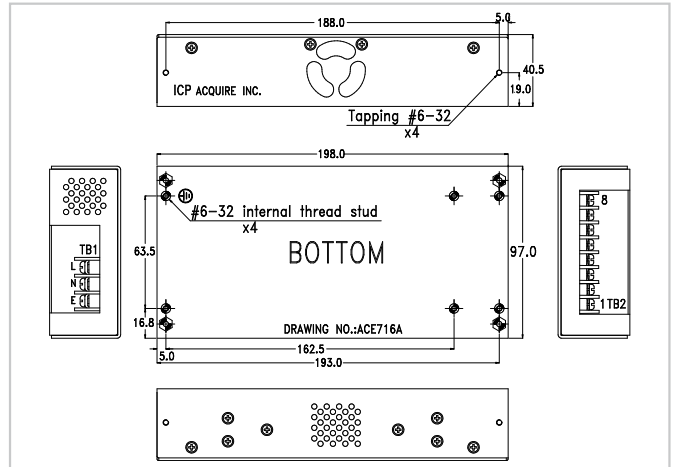
# ACE-716C

150 W 24V DC input AT Power Supply



Input Type	19 ~ 30 VDC				
Output Voltage	+5 V	+12 V	-5 V	-12 V	+24 V
	18 A (2 A min)	4 A	0.5 A	1 A	
Efficiency	70%				
Temperature	Operating : -20°C ~ 70°C (50°C ~ 70°C derating curve) Storage : -20°C ~ 85°C				
MTBF(hrs)	210,000				
Output Connector	Optional Cable				
Dimensions	198 x 97 x 40.5 mm				

## Dimensions



## Output terminal block connectors

Pin 1, 2	Pin 3, 4	Pin 5	Pin 6	Pin7	Pin8
5 V	GND	-5 V	-12 V	GND	+12 V

## Ordering Information

Part No.	Description
ACE-716C-RS	150 W 24 V DC input AT Power Supply

Optional 1	Embedded Solution	Optional 2	ATX Backplane Solution	Optional 3	AT P8P9 Backplane Solution
	<b>PN: CB-716EB-RS</b> 30 cm DC cable to CPU card with 4-pin 12 V CPU, HDD and SATA connectors		<b>PN: CB-716BP-RS</b> 30 cm DC cable to backplane with 20-pin ATX, HDD, SATA and HDD connectors		<b>PN: CB-716P8P9-RS</b> 30 cm DC cable AT power to P8P9 with HDD and SATA connectors

# 2U AC Input ATX Type

# ACE-4530AP

300 W 2U ATX Power Supply



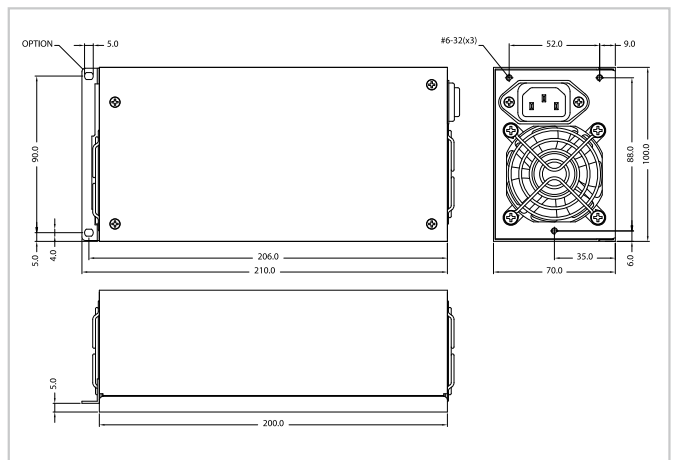
Best solution for the RACK-1350G ATX 2.0 standard w/ new 20+4 Meets ATX revision 2.0, with 20+4-pin ATX power and SATA connector



## Specifications

Input Type	90 ~ 264 VAC Full Range					
Output	+5 V	+12 V	-12 V	-5 V	+3.3 V	+5 Vsb
	35 A	16 A	1 A	0.5 A	20 A	2 A
Efficiency	63%					
Temperature	Operating : 0°C ~ 50°C, Storage : -20°C ~ 80°C					
Output Connector	1 x 20+4-pin ATX 4 x HDD 2 x SATA		1 x 4-pin 12 V CPU 2 x FDD 1 x 5 V (P10)			
Dimensions	200 x 100 x 70 mm					

## Dimensions



## Ordering Information

Part No.	Description
ACE-4530AP-RS	300 2U AC-DC ATX Power Supply, with PFC