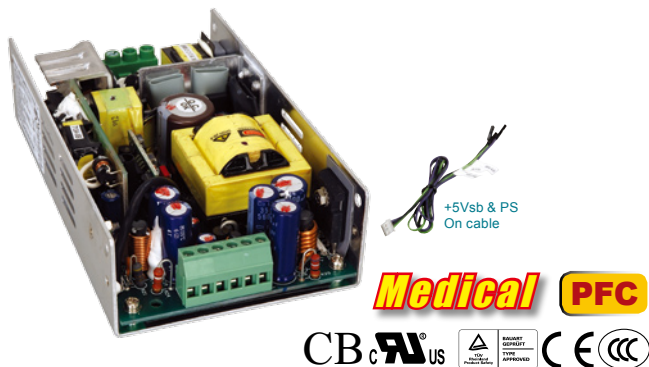


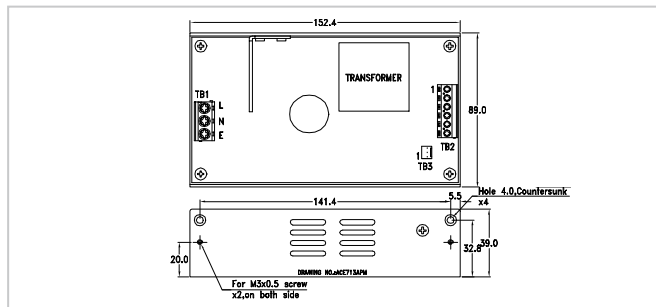
Open Frame AC Input ATX Type

ACE-713APM

130 W Medical Type ATX Power Supply with PFC



Dimensions



Input Type	85 ~ 264VAC Full Range					
Output Voltage	+3.3V	+5V	+12V	-5V	-12V	+5Vsb
		10A (0.2A min)	6A		0.5A	0.5A
Efficiency	80%					
Temperature	Operating : -20°C ~ 70°C (50°C ~ 70°C derating curve) Storage : -40°C ~ 75°C					
MTBF(hrs)	143,000					
Output Connector	5VSB & PS_ON cable					
Dimensions	152.4 x 89 x 39 mm					

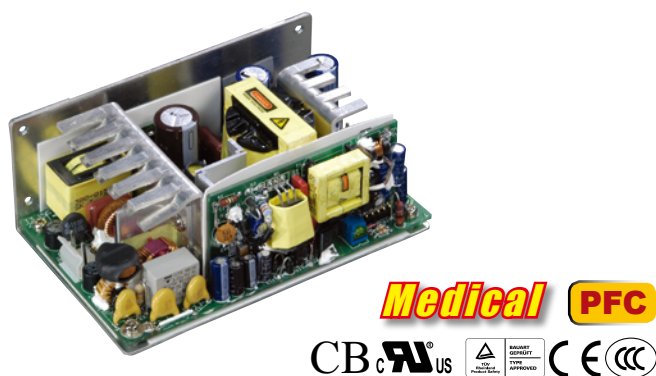
Ordering Information

Part No.	Description
ACE-713APM-RS	130W AC-DC ATX Power Supply with PFC, meets medical standards

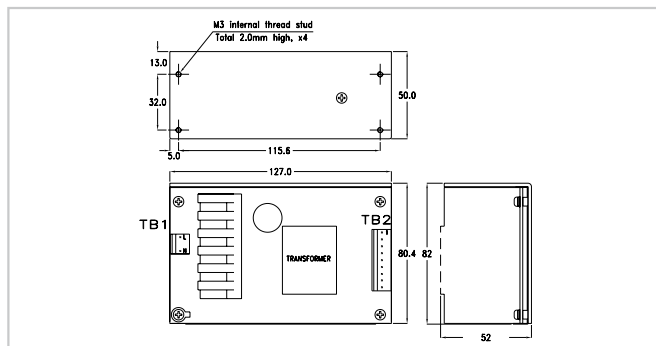
Optional 1	AC Input Solution
	PN: CB-643EC-RS 20 cm AC input cable with I/O connector and fuse
Optional 2	Embedded Solution
	PN: CB-709EB-RS 30 cm DC cable to backplane, with 20-pin ATX, HDD and SATA connectors
Optional 3	ATX Backplane Solution
	PN: CB-709BP-RS 30 cm DC cable to backplane, with 20-pin ATX, HDD and SATA connectors

ACE-710APM

100 W Medical Type ATX Power Supply with PFC



Dimensions



Input Type	85 ~ 264VAC Full Range					
Output Voltage	+3.3V	+5V	+12V	-5V	-12V	+5Vsb
		10A (0.2A min)	3.5A		0.3A	0.5A
Efficiency	80%					
Temperature	Operating : -20°C ~ 70°C (50°C ~ 70°C derating curve) Storage : -40°C ~ 75°C					
MTBF(hrs)	100,000					
Output Connector	Optional Cable					
Dimensions	127 x 81 x 50 mm					

Ordering Information

Part No.	Description
ACE-710APM-RS	100W AC-DC ATX Power Supply with PFC, meets medical standards

Optional 1	AC Input Solution
	PN: CB-870EC-RS 20 cm AC input cable with I/O connector and fuse
Optional 2	Embedded Solution
	PN: CB-710EB-RS 30 cm DC cable to CPU card, with 4-pin 12 V CPU, HDD and SATA connectors
Optional 3	ATX Backplane Solution
	PN: CB-710BP-RS 30 cm DC cable to backplane, with 20-pin ATX, HDD and SATA connectors