

DATA SHEET

This information may not, in whole or in part, be copied, photocopied, reproduced, translated or reduced to any electronic medium or machine-readable form without the prior written consent of Hatteland Display AS. The products may not be copied or duplicated in any way.

HATTELAND® DISPLAY

Manufacturer: **Hatteland Display AS**
 Product: **26 inch Maritime Multi Computer (MMC)**
 Type: **HD 26T21 MxC-xxx-xxxx**

Last Revised: **08 Feb 2017**
 Revision#: **40**

26 inch Maritime Multi Computer - Series X

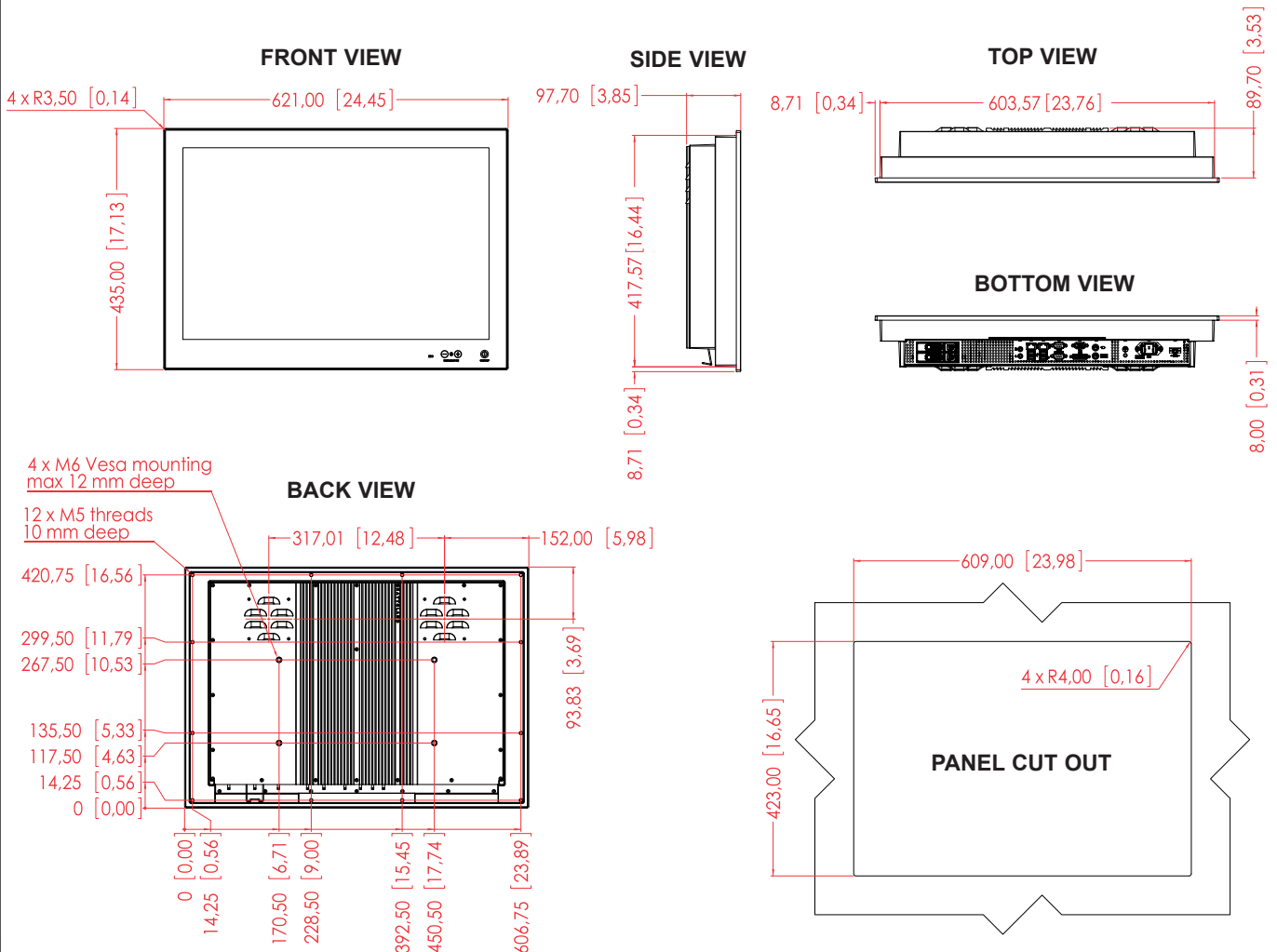
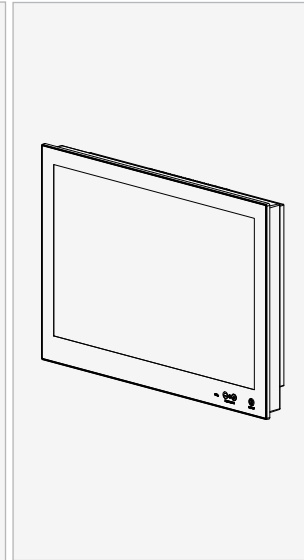
Features:

Series X Displays and Panel Computers offer the ultimate in performance, convenience, state of the art design and enduring quality for system integrators and boat builders. Series X products offer a range of feature sets optimized for varying requirements and applications.

The Series X Panel Computer range is a flexible all in one monitor & PC solution, designed and type approved for the professional marine segment, where reliability and long life time are key-pre requisites for the industry. The product range combines state of the art display and computer technology with innovative features and options, making it all that the integrator needs for top class type-approved marine systems.

The high performance MMC Panel Computer models provide a wide choice of display size and format, along with various processor and storage options. The compact, all-in-one MMC solution is the ideal one for all ship navigation or automation installations. This range with all it's versatility and capability provides a robust and cost effective platform from which to run multiple applications and display and manage data.

Series X Panel Computer feature Glass Display Control™, LED Backlight Technology, full dimming and multipower all as standard. In addition there are options such as HDD or SSD storage mediums, Multiple interface configurations and several OS options. The product range can also accommodate and combine multi-touch screen, optical bonding and ECDIS calibration. By factory standards the 26 inch unit is ECDIS Compliant.



Dimensions might be shown with or without decimals and indicated as mm [inches]. Tolerance on drawings is +/- 1mm. For accurate measurements, check relevant DWG file.

TFT Technology:

- LED Backlight Technology, TFT Active-matrix
- 25.54 inch viewable image size, Widescreen, Aspect Ratio 16:10
- S-MVA (Multi-domain Vertical Alignment) Technology, RGB Vertical Stripe

TFT Characteristics:

- Native Resolution : 1920 x 1200
- Pixel Pitch (RGB) : 0.2865 (H) x 0.2865 (V) mm
- Response Time : 20ms (Tr+Tf)
- Contrast Ratio : 1500:1 (typical)
- Light Intensity : 350 cd/m² (typical)
- Viewable Angle : +/- 88 deg. (typical) (Up/Down/Left/Right)
- Active Display Area : 550.08 (H) x 343.8 (V) mm
- Max Colors : 16.7 million

Computer Specifications:

- OS Options : None or see table below
- Storage Options : None or see table below
- CPU/Processor : See table below
- Memory Options : None or see table below
- System Chipset : Intel® BD82QM57
- Graphics Chipset : Intel® Arrandale IGD supports DVMT 5.0
- Ethernet LAN #1 : Intel® 82577LM Gigabit LAN 10/100/1000Mbps
- Ethernet LAN #2 : Realtek RTL8111C Gigabit LAN 10/100/1000Mbps
- Audio Chipset : Realtek ALC892
- BIOS : UEFI AMIBIOS
- Speaker / Buzzer : No Speaker / 3500Hz Buzzer
- Watchdog Timer : 256 Segments, 0, 1, 2...255 sec/min
- Power Manager : ACPI S3/S4
- Monitoring : Temperature and voltages status
- Other Features : GPIO, LAN Wakeup, USB Boot and Wakeup
- DVI-I OUT Resolution : From 640 x 480 to 1920 x 1200 @ 60 Hz
- RGB OUT Resolution : From 640 x 480 to 2048 x 1536 @ 75 Hz
- Sync. Range : Hor: 31.5 kHz to 91.1 kHz, Ver: 60 Hz* to 85 Hz

Available Computer Configurations:

Type	Description	Size/Specification
CPU	1 x Intel® Celeron® P4505, 1.86GHz, 2MB Cache, FSB 800MHz or 1 x Intel® Core™ i7-620LE, 2.0GHz, 4MB Cache, FSB 1066MHz or 1 x Intel® Core™ i5-520E, 2.40GHz, FSB 800/1066MHz, 3MB Cache	
Memory	1 x Single Channel, 204-pin DDR3 1066/800Mhz	- 2GB, 4GB (Max)
Storage	2 x 2.5" SSD SATA, Multi Level (MLC)	- 80GB, 120GB, 300GB
Storage	2 x 2.5" HDD* SATA *Combination buzzer and spinning hard disk (HDD) is not possible.	- 1TB
Storage	2 x 2.5" HDD SATA Ruggedized/Automotive	- 320GB
OS Option	Embedded Enterprise (WEE): - Microsoft® Windows® Server 2003/2008/2008R2 (Eng) - Microsoft® Windows® 7 Professional/Ultimate (Eng, SP1) openSUSE® 11.4 (Linux) Fedora™ 15 (Linux) Ubuntu® 10.04 LTS Ubuntu® 12.04 LTS See also Accessories (HT 00300 MSOS) options.	
Notes	- For Win7 OS, >1GB RAM + Review "SSD Selection Guide" in manual. - 32bit or 64bit versions available where applicable.	

Power Specifications:

Multi-power Supply:

- 115&230VAC - 50/60Hz + 24 VDC - HD 26T21 Mx-C-Mxx-xxxx
- Note: You may connect either AC power or DC power or both. In case both sources are connected, power will be sourced from the AC input. If AC input is lost, there will be a uninterrupted switch-over to DC input.

Power Consumption:

- Operating AC/DC : TBD W (typ) - 185W (max)
: TBD (typ) at max backlight+high CPU load

Physical Considerations:

- W:621.00 [24.45"] x H:435.00 [17.13"] x D:97.70 [3.85"] mm [inch]
- 4 x M6 VESA mounting 280x150mm, Max 12mm deep
- Weight: 16.2kg / 35.6lbs

User Controls:

Behind front bezel - Glass Display Control™ (GDC) IP66:

- Power On/Off, Brightness Control (-/+)
- Power LED, HDD/SSD LED, Mode Status Indicator (ECDIS, Service)
- Buzzer (through glass), Light Sensor (behind glass)

Environmental Considerations:

- Operating : Temperature -15 deg. C to +55 deg. C
Humidity up to 95%
- Storage : Temperature -20 deg. C to +60 deg. C
Humidity up to 95%
- IP-Rating : Protection: IP66 front - IP22 rear (EN60529)
- Compass Safe Distance : Standard: 125cm - Steering: 80cm

Lifetime Considerations:

Even although the test conditions for bridge units provide for a maximum operating temperature of 55°C, continuous operation of all electronic components should, if possible, take place at ambient temperatures of only 25°C. This is a necessary prerequisite for long life and low service costs.

Input/Output Connectors:

Connector	Rear
• Ethernet GB LAN	2 x RJ-45
• Keyboard	1 x PS/2 (purple)
• Mouse	1 x PS/2 (green)
• COM RS-232	1 x DB9M non-isolated
• COM RS-422/485	1 x DB9M non-isolated
• USB1.1 (<10m)	1 x USB Type A
• USB2.0 (<5m)	3 x USB Type A
• DVI or RGB OUT	1 x 29P DVI-I or as RGB with adapter
• RGB OUT	1 x 15p HD D-SUB
• AC Power IN	1 x Std IEC inlet
• DC Power IN	1 x 2-pin Terminal Block 5.08
• Line OUT	1 x 3.5mm mini jack (Lime)
• Mic IN	1 x 3.5mm mini jack (Pink)
• HDD/SSD Tray	2 x 2.5" Sized Tray/Bay (1 x factory default occupied)

Available Accessories:

- HD CMB SX1-C1 : 1 x Console Mount Kit. EN60945 Tested
 - HD TMB SX1-C1 : 1 x Table Mount Bracket. EN60945 Tested
Note: Can not be combined with HDD, use SSD only.
 - HD VED SX1-A1 : 1 x VESA Bracket, not EN60945 Tested
 - JH C01MF A-A : 1 x USB Cable 1m, TypeA-Chassis mount receptacle
 - HT 00262 OPT-A1 : 4 x RS-422/RS-485 isolated, USB ext. module
 - HT 00263 OPT-A1 : 4 x RS-232 COM non-isolated, USB ext. module
 - HT 00264 OPT-A1 : 1 x CAN isolated, 2 channel, USB ext. module
 - HT 00273 OPT-A1 : 4 x Digital IN/OUT isolated, USB ext. module
 - HT 00274 OPT-A1 : 2 x LAN 10/100Mbps, RJ45, USB ext. module
 - HT 00300 MSOS : OS options -> <http://www.hatteland-display.com/os>
 - HD 000TR SX1-A1 : 1 x Removable Front Tray 2.5" Empty
 - HD xxxxy SX1-z1 : 1 x Removable Front Tray 2.5" w/Storage Device*
- *Where xxx=080,120,300,320,001. yy=GB,TB. z=S (SSD), z=H (HDD).
Example: HD 120GB SX1-S1 (120GB SSD SATA 2,5"). Choose Device from table.

Factory Options:

- Projected Capacitive Touch Screen (Multitouch, USB interface)
 - Capacitive Touch Screen w/Cosmetic alu front frame (USB, -FxxC model)
 - Optical Bonding Technology
 - Color Calibrated models (ECDIS)
 - Variations of SSD/HDD Storage, RAM Memory, Operating System
 - 1 x PCA100293-1 (4xCOM RS-422/485 isolated NMEA 2 channel)*
 - 1 x PCA100294-1 (4xCOM RS-232 unisolated DB9M)*
 - 1 x ZIA0001310-B (1 x CAN isolated 2ch. or 2 x CAN isolated 4ch.)*
 - 1 x HT 00235 OPT-A1 (2W Amplified Audio out via DB9F)
 - 1 x PCA100297-1 (Isolated Digital IO module, 4 x Output/4 x Input)*
 - 1 x PCA100298-1 (LAN 10/100Mbps, 2 ports RJ45)*
 - 1 x VSD100832-1 (LPT1 Parallel (Bi-Directional/EPP/ECP). DB25F
- *Only 1 module can be installed

APPROVALS & CERTIFICATES

This product have been tested / type approved by the following classification societies:

IEC 60945 4th (EN 60945:2002)
DNV - Det Norske Veritas
LRS - Lloyd's Register of Shipping

IACS E10
ABS - American Bureau of Shipping
EU RO MR - Mutual Recognition

IP66
ClassNK - Nippon Kaiji Kyokai
CCS - China Classification Society

GL - Germanischer Lloyd
BV - Bureau Veritas