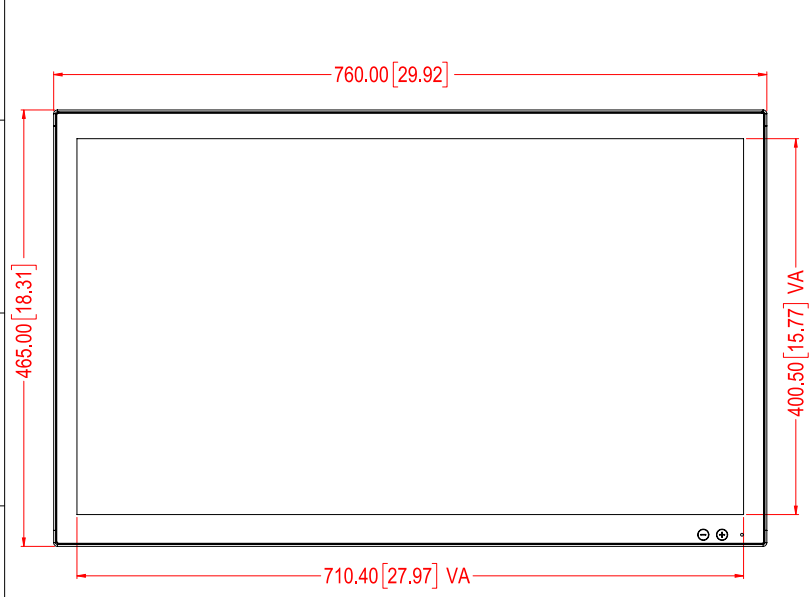
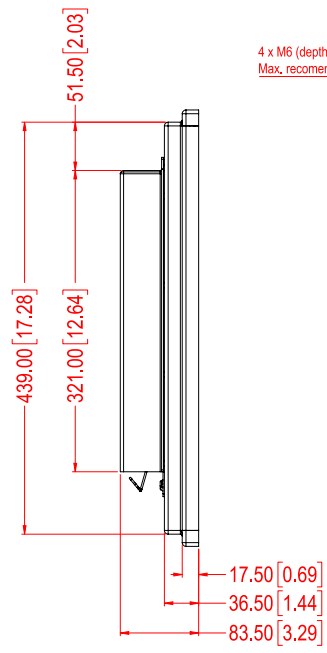


This document is the property of Hatteland Technology AS. This document and any authorized reproduction thereof, must not be used in any way against the interest of Hatteland Technology AS. Any authorized reproduction, in whole or in part, must include this legend.

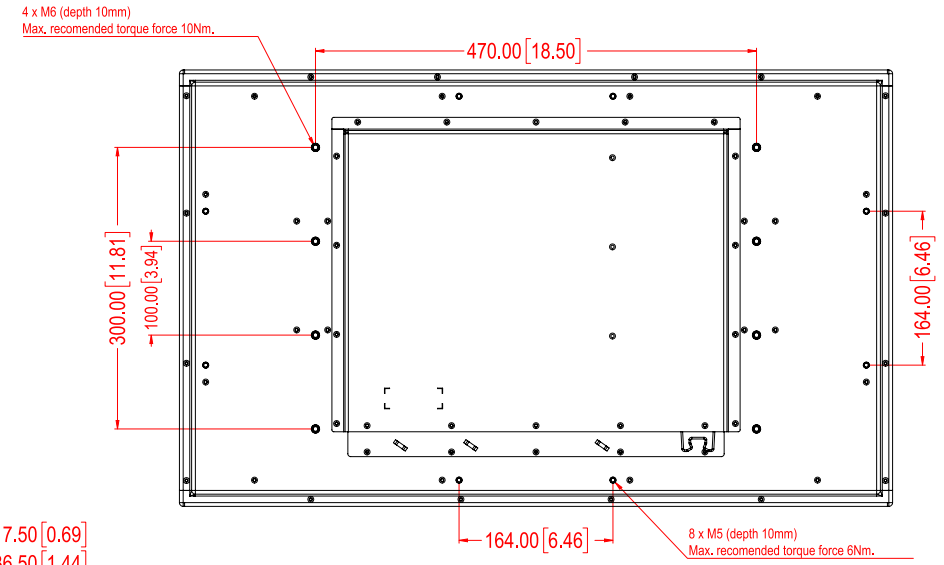
FRONT VIEW



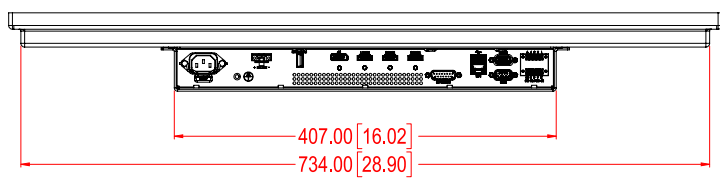
SIDE VIEW



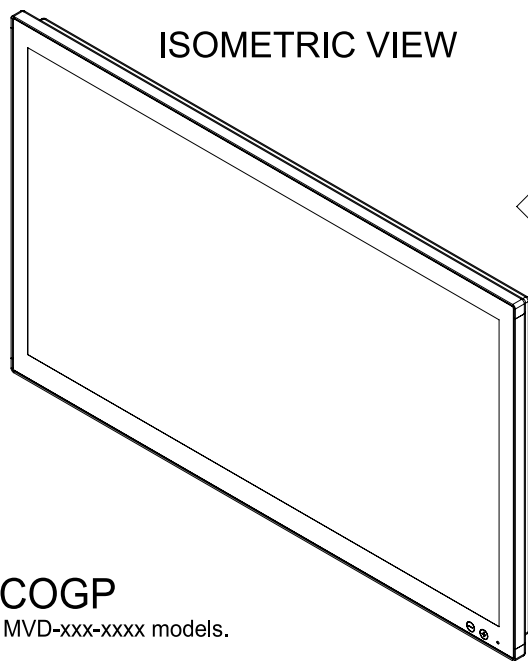
BACK VIEW



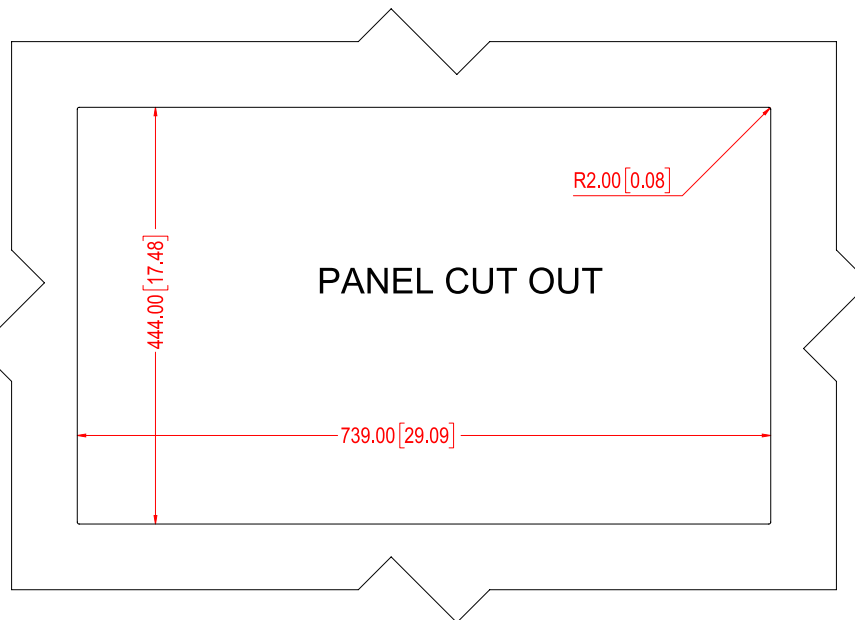
BOTTOM VIEW



ISOMETRIC VIEW



PANEL CUT OUT



SALES DRAWING HD 32T40 MVD-MA1-COGP
shown in this drawing, but measurements generally apply for all HD 32T40 MVD-xxx-xxxx models.

Units: mm [inches]

Creation date / by: /	Projection:	A1	HATTELAND TECHNOLOGY an HILTI/SON Company
Last rev. date / by: /	Scale: 1:3	Tolerance	
Hatteland Technology AS Eikeskogvegen 52 N-5570 Aksdal		Approved by:	Revision:
		ISO 2768-mK	Drawing number: A013154